

# VersiWall® GP 2060

## Green Wall



**Creating Cities  
Where Urban Meets Nature**

### Our Innovation Your Solution

Elmich VersiWall® GP (VGP) 2060 offers architects and developers a cost-effective solution to convert dull and monotonous walls into aesthetically-pleasing living walls. The tray system allows choice of a variety of mounting, planting density and growth media options to suit different installation requirements.



Engineered in Australia



# Technical Specifications

## VersiWall® GP 2060

<b>Material</b>	Recycled Polypropylene ( UV stabilised )	
<b>Size (mm)</b>		
Tray	Overall	195 (W) x 207 (H) x 192 (D)
	Nominal	200 (W) x 150 (H) x 195 (D)
Mounting Panel	Overall	418 (W) x 925 (H) x 22 (D)
	Nominal	400 (W) x 900 (H) x 22 (D)
<b>Planting Media Volume (l)</b>	~ 1.8	
<b>Weight (kg/m²)</b>		
Close Planting (~33 trays)	~ 93	
Spaced Planting (~22 trays)	~ 62	
<b>Vertical Distance between trays (mm)</b>		
@150mm pitch	0 (trays overlap)	
@225mm pitch	40	
<b>Biological / Chemical Resistance</b>	Unaffected by moulds and algae Good resistance to alkali and bitumen	

## Advantages

**Planting Media** - Allows wide choice of planting media to be used.

**Safety** - Anti-lift arms prevent inadvertent dislodgement of trays.

**Drainage** - Drainage outlet allows excess water to flow into underlying trays or to be channelled away at the lowest tray to minimise wetting of area beneath the green wall.

**Baffle Plate** - Distributes irrigation, prevents media spillage and allows trays to neatly overlap in close planting.

**Plant Density** - Flexible vertical and horizontal tray spacing allows variable plant density and design options.

**Water Re-use** - Base Plate with capillary function enables use of stored water/fertiliser in reservoir.

**Irrigation** - Irrigation pipes are concealed between trays or at the rear.

**Anchor system** - 6-point mounting permits flexible use of various mounting options individually or in combination.

**Installation** - Proprietary Mounting Panels facilitates DIY installation and easy mounting of trays.

**Soil Volume** - Holds 1.8L of soil the equivalent of 150mm diameter planting pot.

**Tray Width** - Wide 200mm tray permits easy planting and allows room for plants to branch out as they grow.

## Mounting Systems



### VersiWall® GP 2060 Mounting Panel

Easy to install proprietary panel made from recycled plastics.



### Welded Mesh

Standard welded mesh with rod spacing 50mm wide x 75mm or 150mm high.



### Steel Rods

Steel rods at 75mm or 150mm intervals providing a more minimalistic design.



A security hologram has been applied on all our products to ensure that the end-user receives the best quality and original Elmich product.

## Distributed by:

**Note:** The information provided in this brochure is based on current knowledge and experience and does not infer any legally binding assurance or warranty, expressed or implied. Intending purchasers should verify whether any changes to specifications or applications or otherwise have been made since the issue of this literature. Environmentally-friendly recycled materials are used in product manufacture wherever possible. Physical product properties including colour may differ due to source of raw materials used. Colour may also fade due to UV exposure. All components of the product are designed for specific application, design calculations and any variation and/or deviation therefrom shall be the responsibility of the specifier and/or user.



**ELMICH PTE LTD** [www.elmich.com](http://www.elmich.com)

Singapore: (+65) 6356 2800

info@elmich.com

Singapore | Australia | Germany | Switzerland | United States

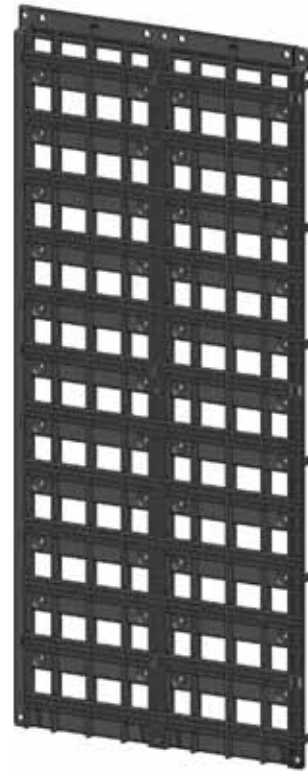


# Elmich VersiWall® GP 2060

VersiWall® GP 2060 offers a simple solution for installation of aesthetically-pleasing living walls.



*VersiWall® GP 2060 Tray*



*VersiWall® GP Mounting Panel*

## About Elmich VersiWall® GP (VGP) 2060

Elmich VGP 2060 is an easy-to-install and low-maintenance vertical greening system that allows choice of a variety of mounting, planting density and growth media options to suit different installation requirements.

VGP 2060 Trays allow spacing of 200mm and 250mm horizontally and 150mm and 225mm vertically depending on plant size, planting density selected and or design requirements.

VGP 2060 Trays can be easily removed from their mounts individually for plant maintenance or design change. Each VGP Tray has a water reservoir with a cover designed to allow re-use of stored water via capillary action to sustain plant growth.

VGP 2060 Trays and Mounting Panels are manufactured from UV-stabilised recycled polypropylene that meets requirements for international "Green Building" certification.



Herb gardens in tight spaces



Varied planting density

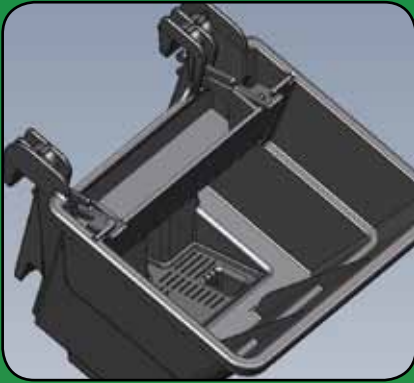


Suitable for temporal and event use

# Distinctive Features

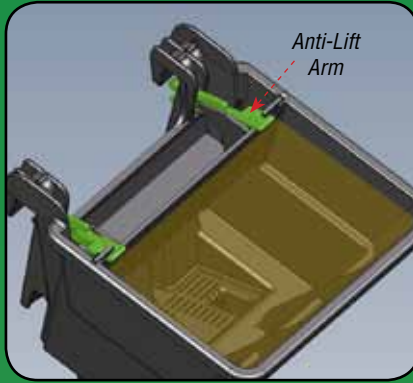
## Stored Water Use

Reservoir cover with capillary function helps to sustain plant growth.



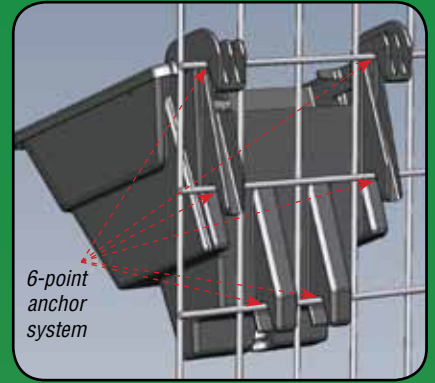
## Safety

Anti-lift arms prevent inadvertent dislodgment of trays.



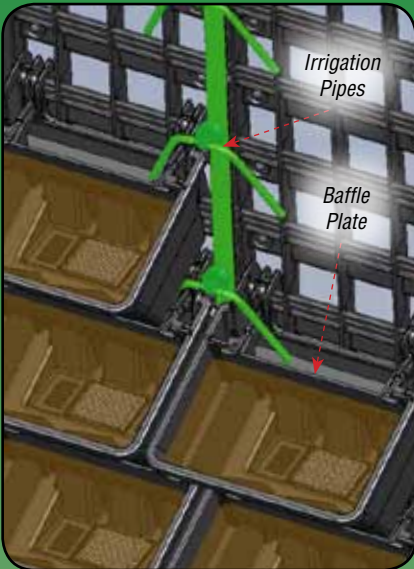
## 6-point Mounting

3 pairs of anchor hooks allow use of various mounting options.



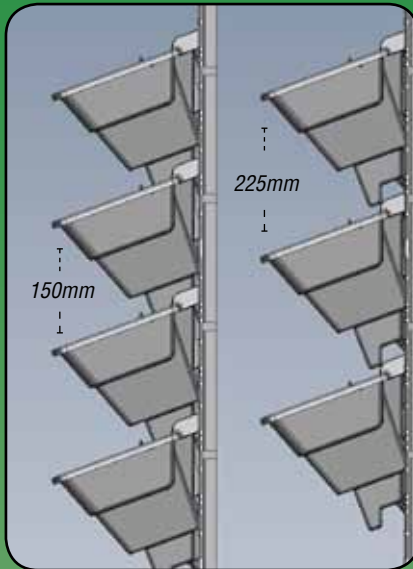
## Baffle Plate

Distributes irrigation, prevents media spillage and allows trays to neatly overlap in close planting.



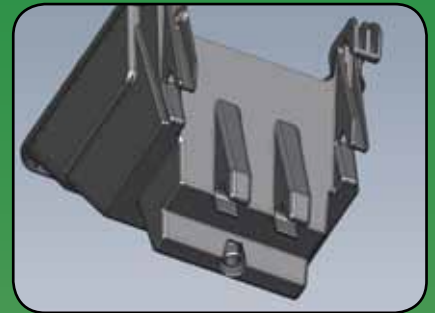
## Plant Density

Variable vertical and horizontal tray spacing allows different planting and design options.



## Drainage

Excess water flows into underlying trays or is discharged through drainage outlet.



## VGP Tray Plug

Prevents water from draining out of VGP Tray. Available separately.



Oncidium Heights, Malaysia



Motor Showroom, Middle East